



PETRO TEAM CORPORATION
PETROLEUM , POWER , TRANSPORTATION

PETRO TEAM CORPORATION PTC



PTC AT A GLANCE



Petro Team Corporation (PTC) is a pioneer and an active company in the energy market regarding Advisory, Agency / Partnership, Engineering Solutions and Service & Revamping, working & cooperate with reputable and well-known companies, benefiting from more than 40 years of experience which makes us capable to support our customers.

Equipment Category

Pump

Compressor

Turbine

Turbo-Expander

Fan & Blower

Engine

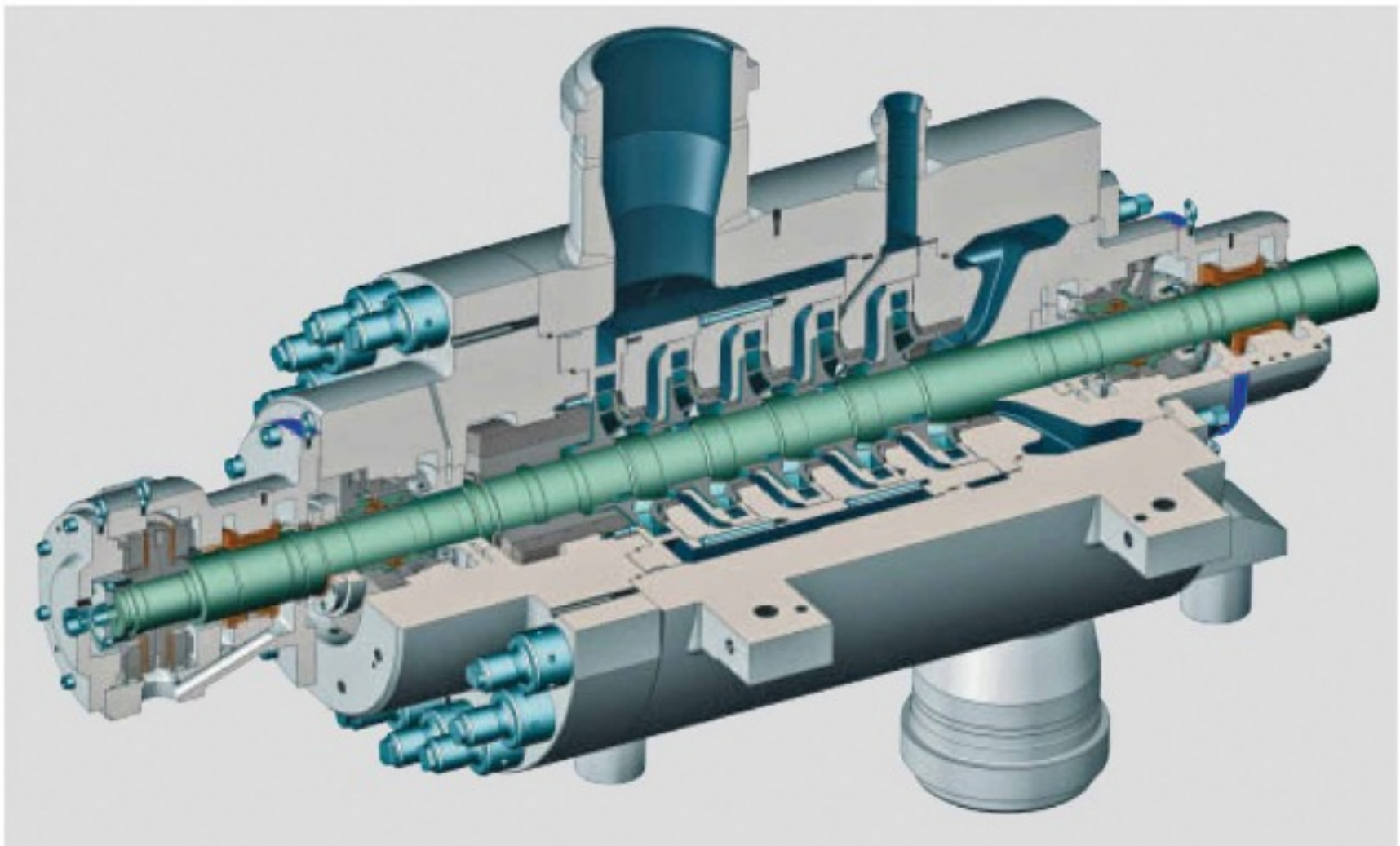
Electrical
Equipment

Control Valve

Air Separation Unit

Pump and Pumping Solutions

PTC as a solution provider, has the capability to provide wide range engineering and procurement services for pump packages in utilities, power plant, oil , gas and petrochemical plants , oil & water transfer and water treatments units with highest efficient total solutions.



Pump Application

Centrifugal Pumps Application / Range

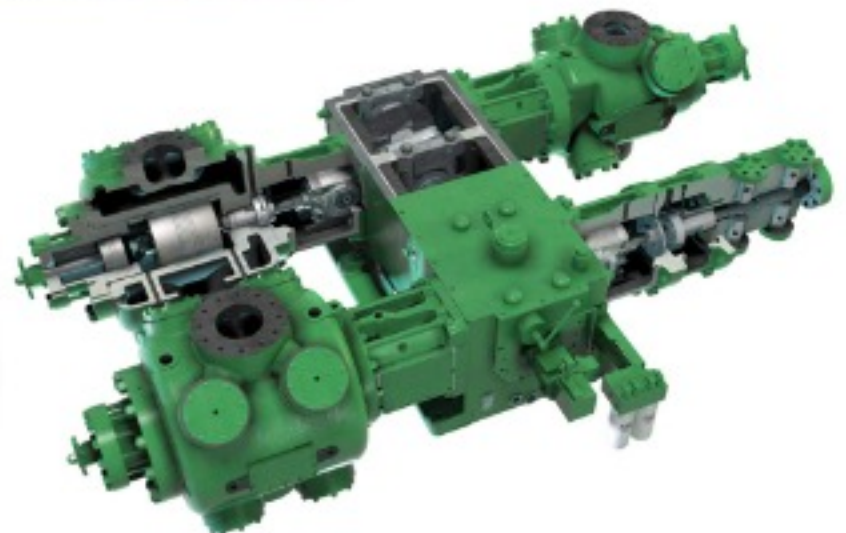
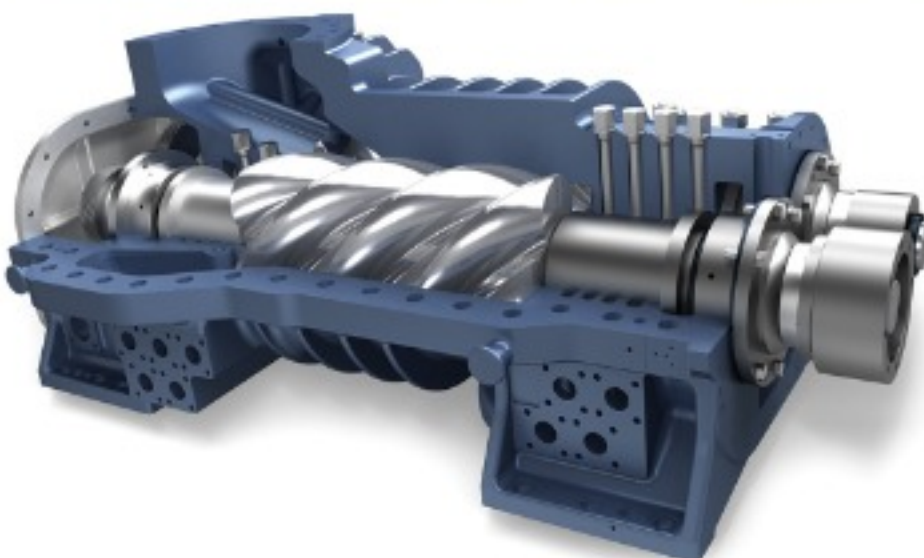
Application	Capacity (m ³ /hr)	Pressure (bar)
Boiler Feed Water	6,000	400
Sea Water Intake	100,000	16
Process	4,500	50
Cryogenic	4,000	150
Cooling Water	10,000	10
Condensate Extraction	4,000	150
Oil & Water Transmission	2,000	250



Compressor

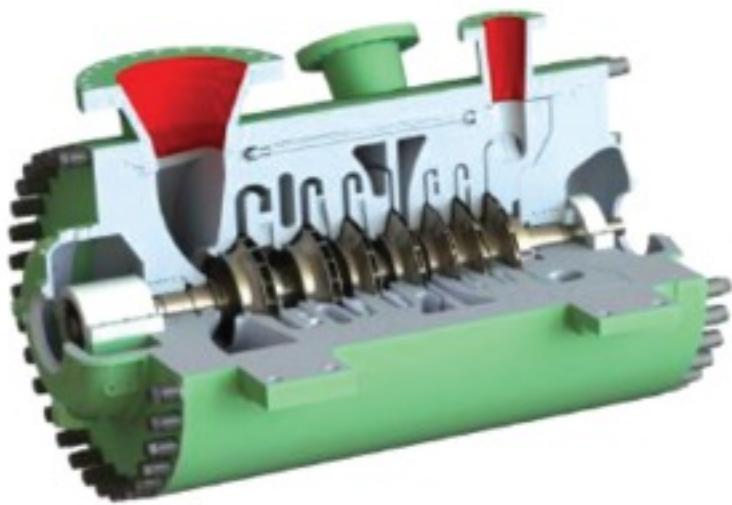
By support of highly skilled engineers, we are ready to support our customers with compressor train solution driven by Steam Turbine, Gas turbine and Electromotor and total package solutions to provide the best performance for all applications including process gas, transmission, air, etc.

- Centrifugal
- Reciprocating
- Screw



Compressor Range

Centrifugal Compressor Capacity / Pressure



	Horizontal Split	Vertical Split	Overhung	Integrally Geared
Max Discharge Press (bar)	45	600	50	120
Maximum Capacity (m ³ /hr)	800,000	250,000	108,000	600,000

Reciprocating Compressor Power / Pressure



Max shaft power : 12.8 MW
Max Discharge pressure: 375 bar

Steam Turbine

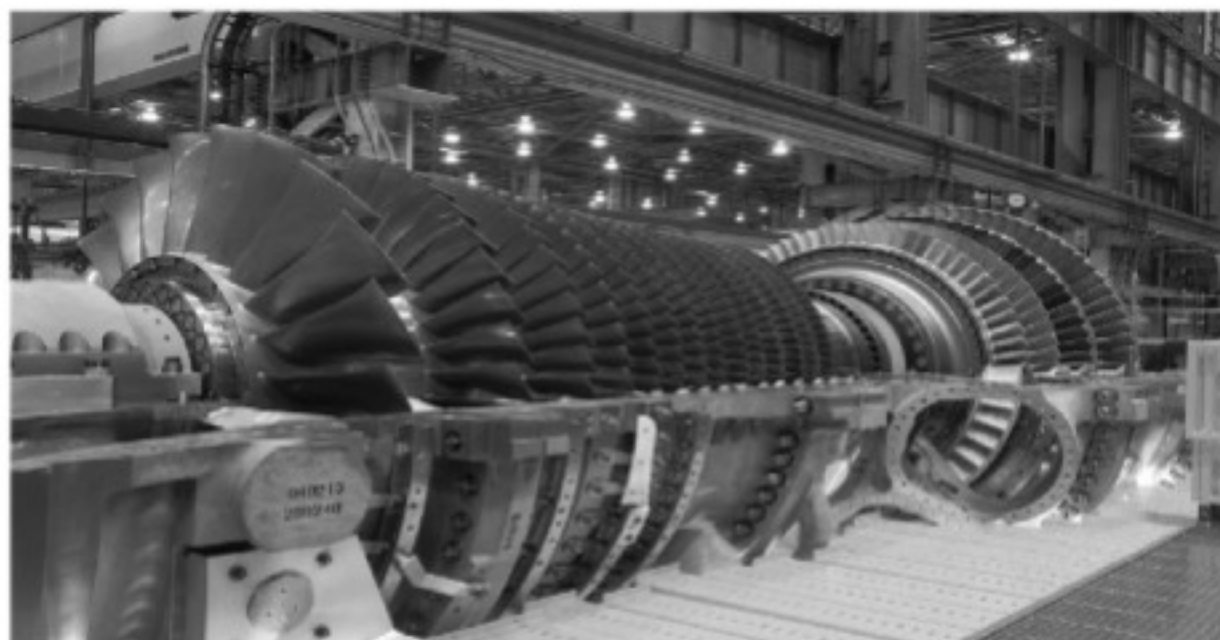
PTC could support / provide the procurement and packaging services for the energy field customers up to 660 Mw for power application and 60 Mw drivers for the oil and gas applications.

- Reaction
- Impulse



Gas Turbine

PTC as a solution provider for the EPC and End Users in turbomachinery, would prepare the best Gas Turbine selection, rehabilitation and Zero Overhauled machines.

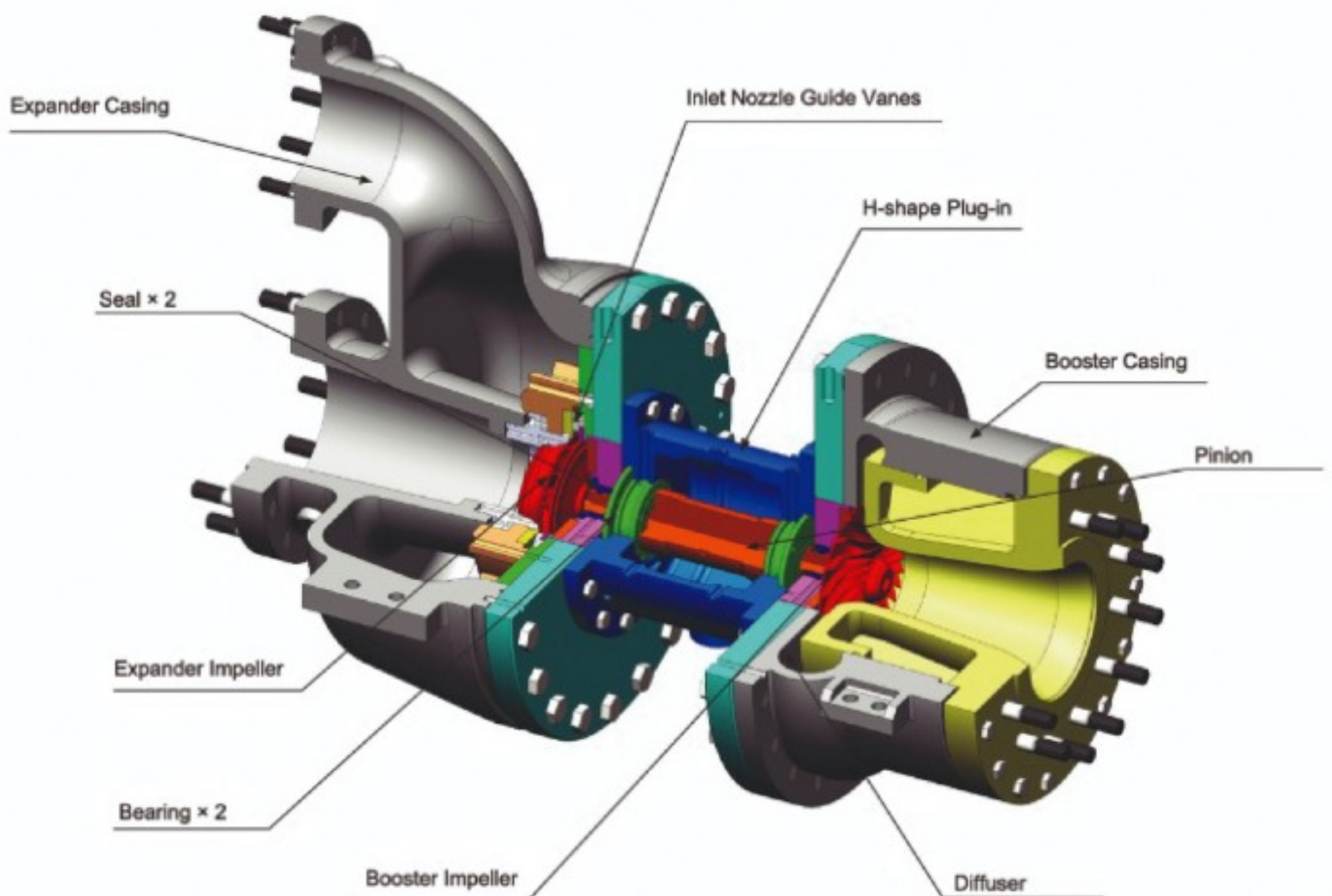


Turbo-Expander

By considers our portfolio in the turbomachines, for expander units, we would be pleased to supply:

- Expander - Generator
- Expander - Compressor

By the first class manufacturers and according to worldwide standards.



Valves

- Control Valves
- De-superheater Valves
- Manual Vales
(Globe , Ball , Gate , Check , Firefighting , etc)



Electrical Equipment

1. GIS
2. MV equipment
3. Instrumentation and control

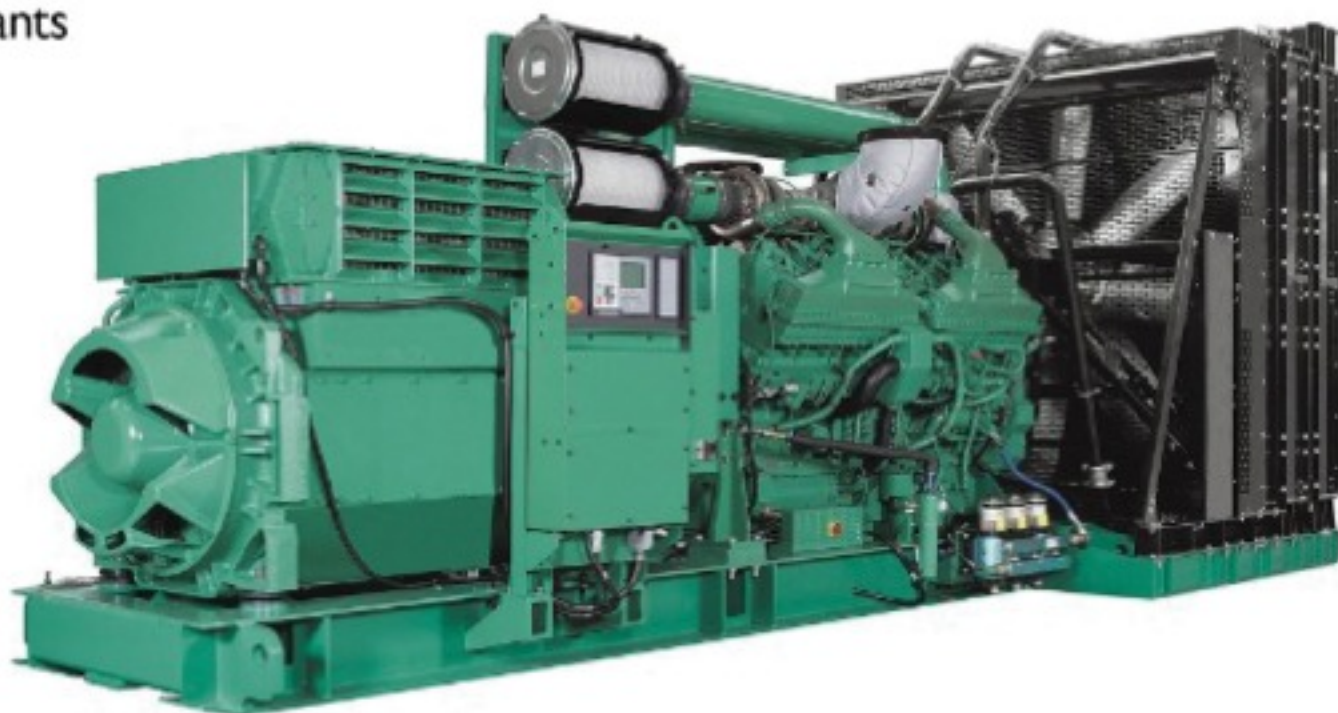


Fan & Blower

PTC has a wide product range of FAN & BLOWER for all the needs of the industrial ventilation from the small process fans up to the fans for energy application with over 4MW of installed power.

Diesel / Gas Engines Applications

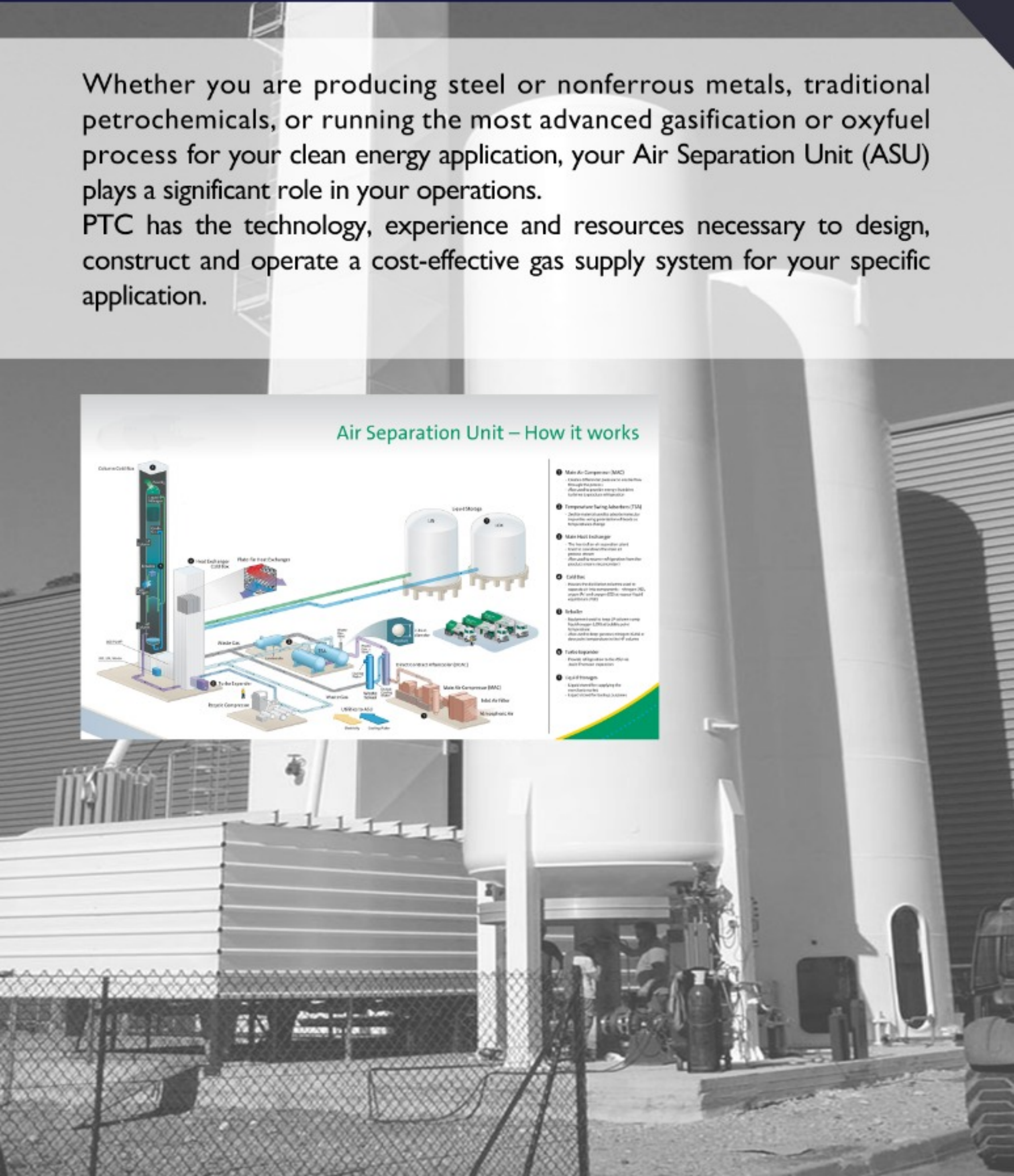
- Distributed Generation Plants
- Emergency Power Plants
- Pump Drives
- Compressor Drives
- Fire Fighting Pump



AIR SEPARATION UNIT (ASU)

Whether you are producing steel or nonferrous metals, traditional petrochemicals, or running the most advanced gasification or oxyfuel process for your clean energy application, your Air Separation Unit (ASU) plays a significant role in your operations.

PTC has the technology, experience and resources necessary to design, construct and operate a cost-effective gas supply system for your specific application.





Engineering Solutions

Pioneer in Innovation

At PTC, we recognize that Oil & Gas industry is constantly transforming along with the growing global demand for energy. New frontiers of production have boosted the scale, risk, cost and complexity of projects. Melding innovative solutions and technologies with real-world applications, fiscal responsibility and meeting regulatory, environmental and sustainability criteria are challenges that we all face.

Translating Your Needs into Solutions

At PTC, we have built our reputation by listening and understanding the challenges which our clients face on a daily basis. Our clients benefit from a full spectrum of tried-and- tested project solutions, developed both locally and abroad, because we've learned how to anticipate the issues the industry will encounter in the future by constantly incorporating new thinking and innovative strategies to help determine how our clients want their company to evolve for tomorrow.

International Knowledge, Global Reach

Looking to fine-tune operations, improve downtimes, streamline processes, or reduce the costs, We can help with tailor-made solutions which are flexible and adaptable. We are committed to delivering our projects at cost and on schedule, with robust quality control and design review processes and an innovative template and standardization experience.

Revamping Solutions

PTC offers extensive solutions for revamping of turbomachines and trains including Steam Turbines, Compressors and Pumps in Energy and industrial plants by the support of the capable partners across the world, hardwares and softwares, which makes us able to offer:

- Change of internal parts of compressors
- Change of internal parts of steam turbines
- Engineering solutions for machine revamping and its roadmap
- Project Management acc. to the world-class standards
- Documentation acc. to OEM standard and detail design



Service Department

Our execution and supply chain teams are pleased to support our customers with OEM quality and standard. Also, PTC is able to support customers with revamping and retrofit solutions and to provide it in the energy field

Gas Turbines

Service and spare parts
GE frame F5, 6 & 9

Siemens SGT 100,200,400,600& 800

Rolls-Royce: Avon: 1533,1534& 1535

Hitachi H25 Service

Steam Turbines

Siemens/ Dresser Rand,
Nuovo Pignone / GE, Mitsubishi and Hitachi

Compressors

Siemens/ Dresser Rand,
Nuovo Pignone / GE, Mitsubishi and Hitachi

Service Engineering support

We are ready for the engineering services to provide for the EPC projects and the existing plant including mechanical, electrical, I&C and process the total solutions for the customer in the power, oil and gas and petrochemical plants:

- Part manufacturing
- CM and PM services
- Revamping and repair for units and trains
- Plant optimization
- Life time assessment



PTC
PETRO TEAM
CORPORATION



We Believe Our Customers Deserve The Best

Address: #81, Atefi-Gharbi St., Nelson Mandela Ave.,
Tehran - Iran

PO. Box: 1967954698

Tel: +98-21-22024395 / 22027317

Fax: +98-21-22027451

Web: www.ptccorporation.com

Email: info@ptccorporation.com

